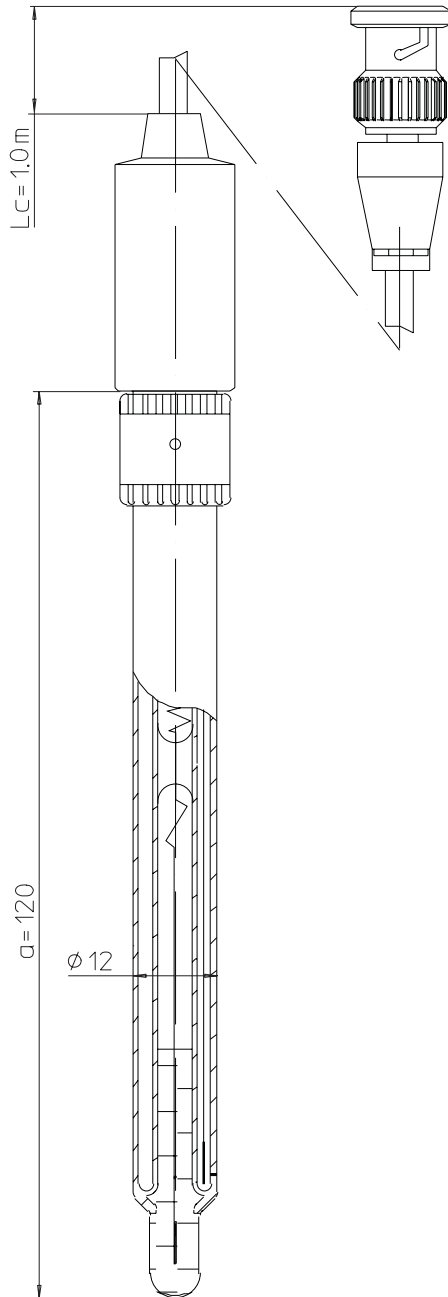


ML2006

2-in-1

pH



former order number -

**Specifications**

pH range 0 - 14  
zero point (pH) 7.00 ± 0.25

temperature range 0 - 80 °C  
temperature probe -

shaft material Glass  
membrane glass HA  
membrane resistance < 600 MΩ

reference system Ag / AgCl  
reference diaphragm Ceramic  
reference electrolyte 9811

bridge electrolyte -

electrode head LE cap  
cable length 1.0 M  
connector BNC

cell constant (cm<sup>-1</sup>) -  
cell type -

indicating metal -

**Storage** 3 mol/L KCl

**Special features**

Suitable for dirty solution  
Refillable reference electrolyte