

# ESCO AIRSTREAM MAX

## CLASS I BIOLOGICAL SAFETY CABINET

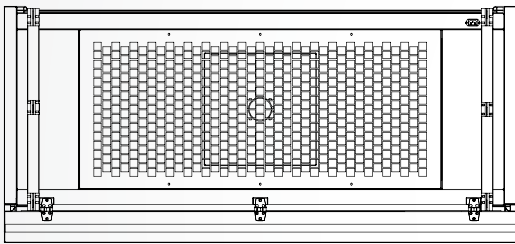


- Quality ULPA filter, 99.999% @ 0.3 micron
- Secondary backup ULPA FILTER for added protection (optional)
- Sentinel Gold Airflow Monitor and alarm system
- Easy to clean sliding window sash
- Robust steel carcass construction Isocide antimicrobial coating on all surfaces
- Large working area
- Excellent Aesthetics
- 3 Years warranty\*

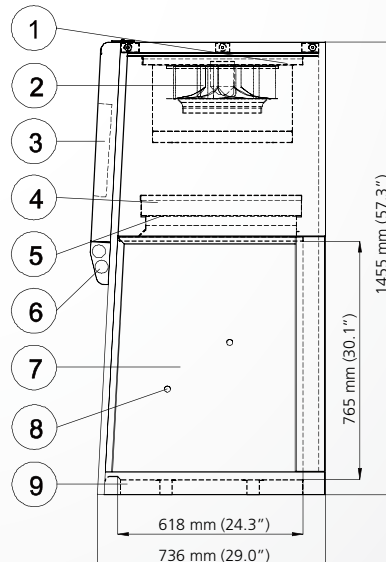
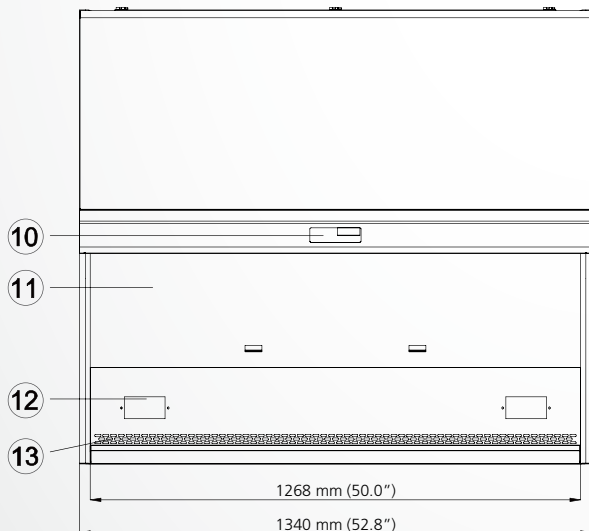
\*terms and conditions apply

## General Specifications, Class 1 Biological Safety Cabinet

Model		ES1201
External Dimensions (W x D x H)		1340 x 736 x 1455 mm 52.8" x 29.0" x 57.3"
Internal Internal Work Area (W x D x H)		1268 x 596 x 765 mm 50.0" x 23.5" x 30.1"
Standard Filter	Pre-Filter	Disposable, non-washable polyester fiber, 85% arrestance, EU3 rated
	Main Filter	ULPA filter with integral metal guards and filter frame gaskets; fully compliant with EN1822(H14) and IEST-RP-CC001.3 requirements
Inflow Air Velocity		Initial set point: 0.7 m/s or 138 fpm
Air Volume		800 m <sup>3</sup> /h (471 cfm)
Sound Emission		<61 dBA
Light Intensity		>1000 Lux (>93 foot-candles)
Construction Material	Main Body	1.2 mm (0.05") 18 gauge electro-galvanized steel with white oven-baked epoxy-polyester Isocide antimicrobial powder coated finish
	Side Wall	Tempered glass
	Work Top	1.5 mm (0.06") 16 gauge stainless steel, type 304, with 4B finish
Net Weight		225 kg (496 lbs.)
Shipping Weight		261 kg (575 lbs.)
Shipping Dimensions		1410 x 840 x 1750 mm 55.5" x 33.0" x 68.9"
Shipping Volume		2.07 m <sup>3</sup> (73.1 cu.ft)



- |  |  |
|--|--|
| <ul style="list-style-type: none"> <li>1 Secondary Exhaust ULPA Filter Provision</li> <li>2 Blower</li> <li>3 Electrical Panel</li> <li>4 Main Filter - ULPA</li> <li>5 Pre-Filter</li> <li>6 Fluorescent Lamp</li> <li>7 Tempered Side Glass</li> </ul> | <ul style="list-style-type: none"> <li>8 Service Fixture Provision</li> <li>9 Worktop</li> <li>10 Sentinel Gold Microprocessor</li> <li>11 Tempered Glass Sliding Sash</li> <li>12 Electrical Outlet Provision</li> <li>13 Auto Purge Slots</li> </ul> |
|--|--|



WORLD CLASS. WORLDWIDE.

Esco Global Offices  
 Beijing, China | Kuala Lumpur, Malaysia | Manama, Bahrain | Guangzhou, China | Hanoi, Vietnam |  
 Marietta, OH, USA | Melaka, Malaysia | Mumbai, India | Philadelphia, PA, USA | Salisbury, UK Shanghai, China |  
 Seoul, Korea | Delhi, India | Singapore